

# DMInteract®

From Visualization to Collaboration





## DMInteract DM-3x3-409R

3x3 9 Channels 4K 1080P HDMI  
Video Wall Controller

<https://dminteract.com>  
<https://dubaimachines.com>

[info@dubaimachines.com](mailto:info@dubaimachines.com)  
+971-4-3360300

 @dubaimachines  
 @dubaimachines

## SPECIFICATIONS

DM-3x3-409R		
Enter	Input interface	3 x HDMI1.4, 1 x HDMI2.0 , 1 x DP1.2 ( ≤ 5 m), support HDCP2.2
	Input source	Support computers, Android boxes, game consoles and other devices
	Input interface maximum video pixel frequency	600MHz
	Default resolution	3840 x 2160 @ 30hz
	Color depth	24 bit, RGB444 , YUV420
	Output Interface	9 xHDMI1.3 (≤ 15 m), 1xDP1.2 loop out
Output	Output interface highest video pixel frequency	165MHz
	Resolution	1920x1080 @ 60hz
	Color depth	24bit, RGB444
	Audio out	customizable
	Audio and video separation	Support 3.5 mm audio interface
	Features	Control method
Stitching mode		Splicing mode within 9 screens
DHCP		support
Stitching effect		Support proportional resolution input, the picture will not be distorted
Screen split		Left and right, top and bottom, four splits, picture in picture, input source can be distributed on the wall arbitrarily, and up to 4 signals can be sent to the wall at the same time
Power down memory		support
Parallel connection of multiple devices		Support parallel use to ensure real-time display requirements on large screens
Multi-device cascading		support
Output rotation		The input is rotated by 90 ° , and the output first row is rotated by 180 °
Chip technology		40nm chip, full hardware real-time processing architecture, ultra-fast processing speed without delay
Use		Large screen splicing
OEM		support
Power supply		DC 12V 2A
Power consumption		12W
Storage/Working Temperature		-10 ~ 50°C / 0 ~ 50°C
Other	Size	270mm*122.5mm*20.5mm
	Weight	1kg
	Packing list	Equipment* 1 , power supply*1, remote control*1, certificate*1, warranty card*1
	After-sales service	1 year warranty

## FEATURES:

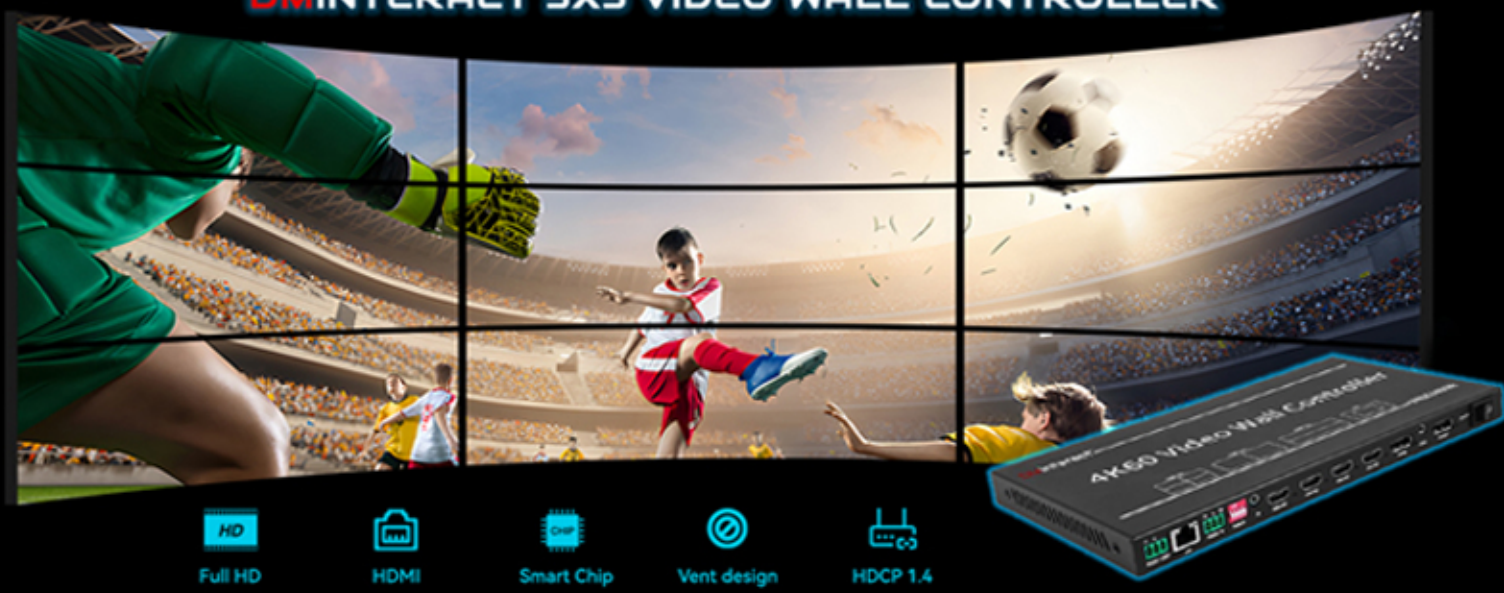
- Distributes one HDMI input device (computer, laptop, DVD player, console etc.) on 9 screens simultaneously. - 13 Display Modes - 4x4, 4x1, 3x3, 3x2, 3x1, 2x4, 2x3, 2x2, 2x1, 1x1, 1x2, 1x3, 1x4
- Support 90 degree display. It DOES NOT Support change to 90 degree with remote. It needs to set the 90 degree of your photos in the PC system, it will show the 90 degree photos.
- Support buttons and remote control.
- Plug and play. No Driver Installation. NOTE: HDMI cables are NOT included.
- Input Max supports 4096x2160@ 60Hz. output max supports 1920x1080 @ 60Hz.
- The input supports full screen rotation of 90° (only supported in single-picture mode), and the output supports 180 ° rotation of the first line (only supported when the stitching mode is two lines).
- No stretching, no deformation, no need to compress the input source, the picture is clear.
- Support single display mode (1x1).
- Support infrared remote control, serial RS232 control.
- Low power consumption, energy saving and environmental protection. Conductive heat dissipation is used internally.
- Without any external heat dissipation measures, and the reliability is extremely high.
- Support Computers, Android box, game consoles and other devices as input source.
- Using 40nm high-end programmable FPGA chip, full hardware real-time processing architecture, and ultra-fast processing speed without delay.

## HOW TO OPERATE:

- Connect HDMI source to HDMI input with HDMI cable. Connect HDMI output to TVs.
- Connect 12V power adaptor.
- Set up splicing mode by the MODE button on the unit or remote controller



# DMINTERACT 3X3 VIDEO WALL CONTROLLER



## One-key Remote To Switch Splicing Mode

High sensitivity, long receiving distance,  
can switch splicing mode with one key, light and convenient





# Video Wall Controller



4K UHD



Lock Custom EDID



RS232 Communication



IR Remote Control



LAN Control



Quadview



Picture In Picture



Picture By Picture



Rotate 90° / 180°



DP Loop Out

**HAVING MULTIPLE CONTROL METHODS SIGNIFICANTLY SIMPLIFIES THE PROCESS OF SWITCHING**



IR control



LAN control

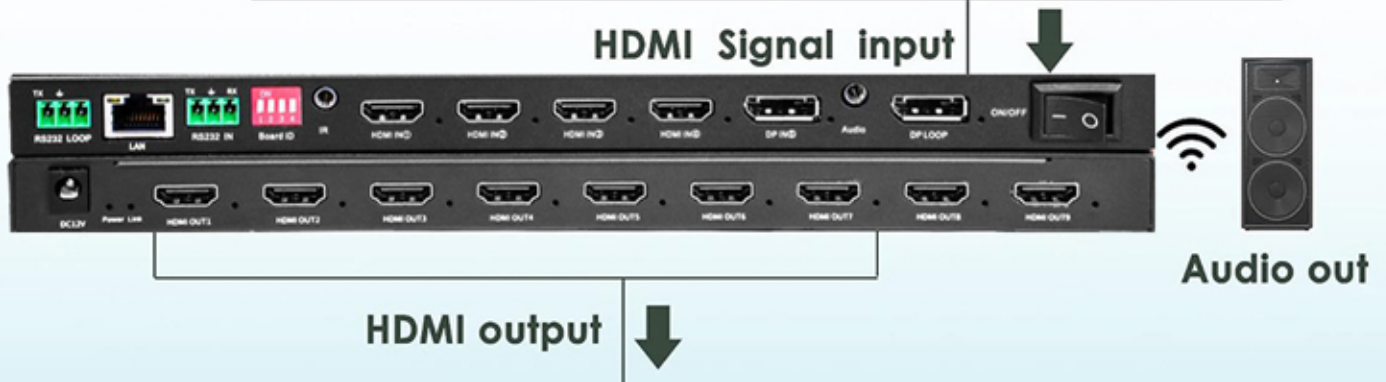
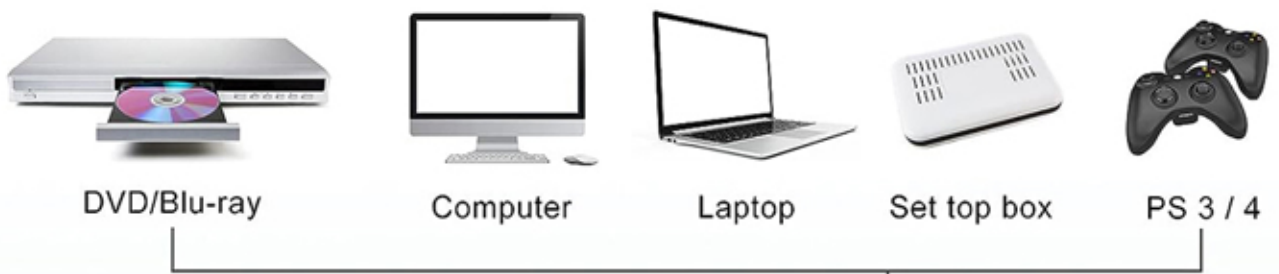


RS232

# Plug to Play

No extra drivers need, Just plug and play  
Easy to use

## Compatible with Multiple Devices



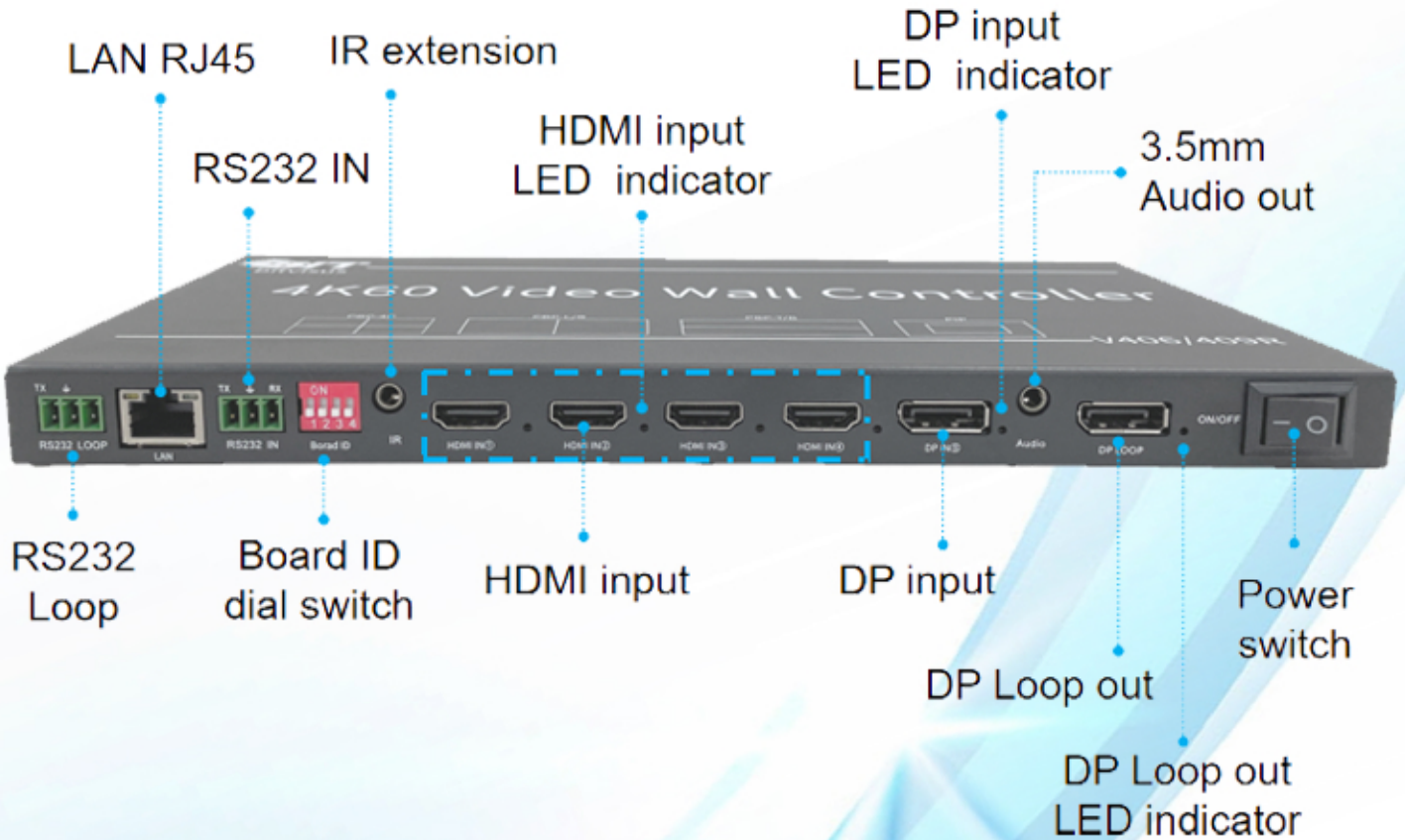
9 Monitors spliced together to display the full page.

Single screen supports  
1920×1080P@60HZ





## Front panel



## Rear panel

